

SIDEWINDER ROLLER BANNER STANDS

ROLLER BANNER STANDS

ROLLER BANNER STANDS



Highly versatile
roller banner

Single and twin
sided options

Rapid, easy assembly

plex
DISPLAY
banner stands

SIDEWINDER

THE MARKET LEADING

SIDEWINDER IS THE **MARKET LEADING** PORTABLE ROLLER BANNER SYSTEM, AVAILABLE WITH EITHER **SINGLE OR DOUBLE SIDED** GRAPHICS. WITH TOOL-FREE, **RAPID ASSEMBLY**, A VISIBLE GRAPHIC HEIGHT OF 2100MM AND A CHOICE OF 4 BASE WIDTHS, SIDEWINDER IS DESIGNED TO SUIT ANY DISPLAY LOCATION.

FEATURES

- Integral poles
- Sleek satin anodised casing and pole set
- Simply roll out the graphic and set the system up in seconds
- Patented self tensioning mechanism offers easy change graphic facility
- Choice of 4 width options 600mm, 800mm, 1000mm and 1200mm
- Supplied in a padded carry bag

ACCESSORIES

- Huge range of spotlighting options
- Optional aluminium flight case available



International Patent No. 2391685

plex
DISPLAY
banner stands

HIGHLY PORTABLE | SINGLE OR D

G SYSTEM



1. Helios 3
50w hi spotlight
2. Helios 4
50w hi spotlight
3. Helios 5
50w hi spotlight
4. Helios 7
50w low voltage spotlight
5. Helios 8
50w low voltage spotlight
6. Padded carry bag



Bases are available in the following widths :
600mm
800mm
1000mm
1200mm

ROLLER BANNER STANDS

SPECIFICATIONS

GRAPHIC PANEL SIZES

Finished graphic panel size

2150 x 1200 / 1000 / 800 / 600mm

Visual graphic area

2100 x 1200 / 1000 / 800 / 600mm

Maximum finished graphic panel thickness

250 micron

SYSTEM SIZES

Boxed size

1200 = 1290 (L) x 210 (W) x 100 (D)mm

1000 = 1090 (L) x 210 (W) x 100 (D)mm

800 = 890 (L) x 210 (W) x 100 (D)mm

600 = 760 (L) x 210 (W) x 100 (D)mm

Assembled size

1200 = 1220 (W) x 190 (D) x 2120 (H)mm

1000 = 1020 (W) x 190 (D) x 2120 (H)mm

800 = 820 (W) x 190 (D) x 2120 (H)mm

600 = 620 (W) x 190 (D) x 2120 (H)mm

BOXED WEIGHTS

Single sided

1200mm = 6.20kg 1000mm = 5.72kg

800mm = 4.44kg 600mm = 3.63kg

Double sided

1200mm = 7.73kg 1000mm = 6.58kg

800mm = 5.62kg 600mm = 4.81kg

COMPONENT LIST

Sidewinder unit complete with poles (except 600mm wide, where poles are separate)

Graphic hanger (single sided unit - 1 hanger, double sided unit - 2 hangers)

Pole insert for double sided unit

Padded carry bag

plex
DISPLAY

International Patent Application

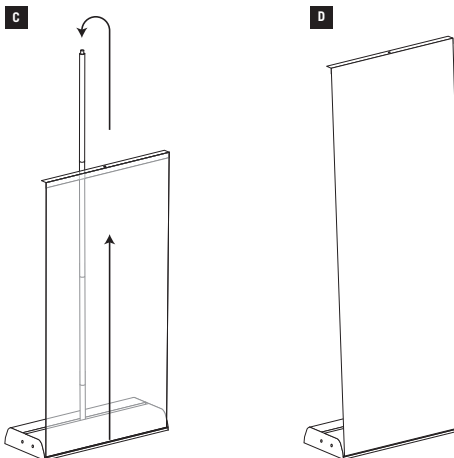
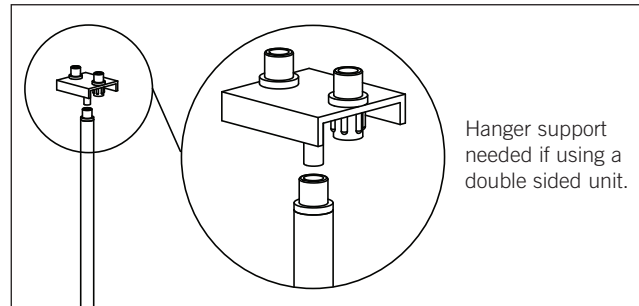
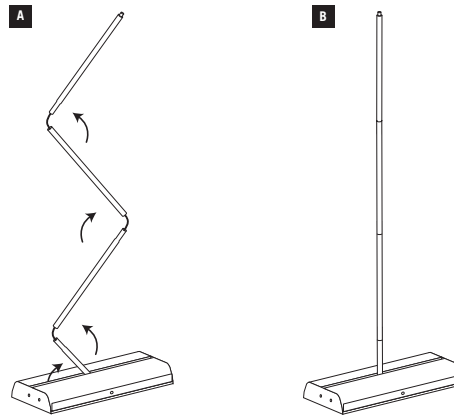
No. WO 02/057588

No. PCT/GB02/00129 in USA

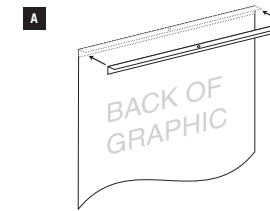
Issue 9 - Nov 2006

SIDEWINDER

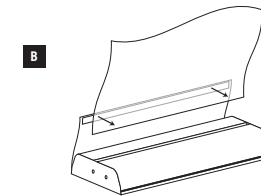
ASSEMBLY INSTRUCTIONS



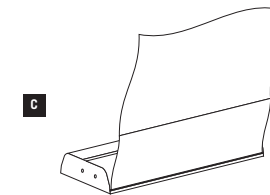
GRAPHIC ATTACHMENT



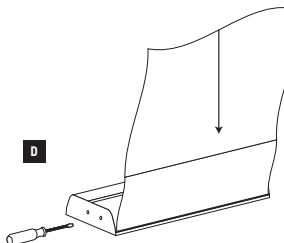
A Attach top rear of graphic panel to double sided tape on top hanger.



B Attach front bottom edge of graphic panel to double sided tape on leader sheet, as shown.



D Use a standard flat headed screw driver to wind the graphic into unit. We recommend between 20 and 30 complete clockwise turns to achieve optimum tension, although this may vary (+/-) with different styles of graphic material.



IMPORTANT NOTES

When retracting a graphic always slowly guide it into base housing, otherwise graphic damage may occur.

To ensure a proper bond between graphic and hanger bar pressure must be applied. Also the adhesive should be allowed to cure for 24 hours before the Sidewinder is used.

REMOVING THE TENSION FROM A SIDEWINDER

To un-tension graphic panel place a flat headed screwdriver into the slot and push to disengage ratchet. Hold in and turn anti-clockwise until tension in spring is released. To remove graphic panel carefully peel it off leader sheet. The graphic hanger can also be removed or a new hanger can be purchased.